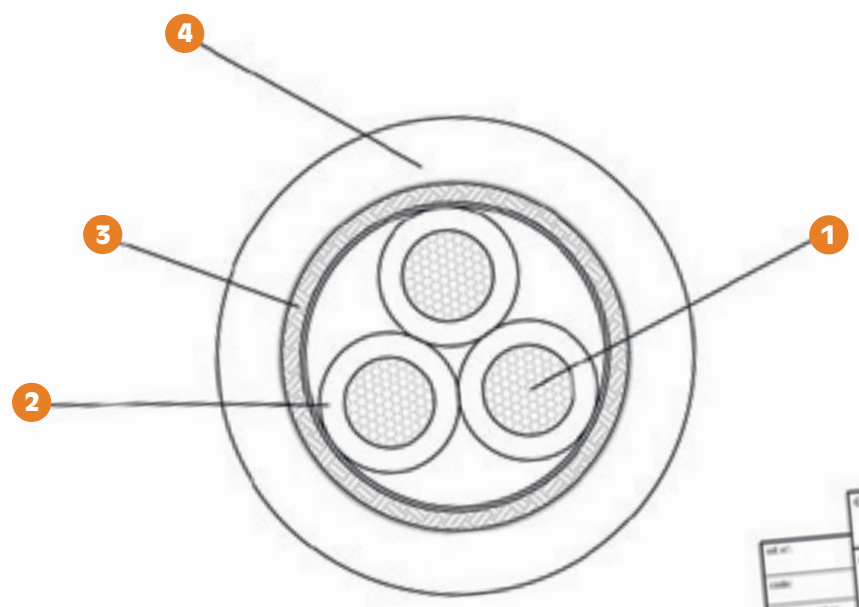


SHIP FEEDBACK

Cavi multipolari di controllo per catene portacavi con installazione off-shore 0,6/1 kV
 Multicore drag chain control cables for shipboard installation rated 300/500 V and 0,6/1 kV



Technical data	
Conductor	1 Bare (or tinned copper) class 5 or 6 according to IEC 60228 and according to AWG construction
Core	Black numbered cores with or without yellow/green (preferential identification) or different colour as agreed with the Customers
Insulation	2 Polyester according to UL 1581 table 50.226 and CSA n°22.2 n°210 Thickness according to style page 11146 UL 758
Inner covering	Textile tape
Armouring (optional)	3 Bare or tinned copper wire braid (with optional aluminium tape underneath the braid) Minimum coverage 85%
Sheath	4 Polyurethane according UL 1581 table 50.227 and CSA 22.2 n°210 Thickness according to UL 758 section 13.3 Colour: grey (or other colour agreed)
Marking	For cross-section up to and including 1 mm ² UNIKA (Italy) - SH-FB-SG (core number)G(cross-section) - AWM A/B I/II 80°C 300 V FT1 - OIL & SUN RESISTANT - MINUS 40 °C - IEC 60332-1 - traceability code For cross-section above 1 mm ² UNIKA (Italy) - SH-FB-SG (core number)G(cross-section) - AWM A/B I/II 80°C 1000 V FT1 - OIL & SUN RESISTANT - MINUS 40 °C - IEC 60332-1 - traceability code
Rated voltage (see marking)	300/500 V or 0,6/1 kV (300 V or 1000 V according to UL)
Rated conductor temperature for fixed and flexible installation	-40 ÷ 80°C
Minimum installation temperature	- 25°C
Minimum bending radius for dynamic application into drag chain	7,5D with D the overall diameter
Fire behaviour	IEC 60332-1-2 not flame propagation IEC 60754-1 halogen content
Special requirements	Enhanced oil resistance according to IEC 60092-350 annex F Low temperature behaviour at -40 °C according to IEC 60092-350 annex E
Application	Cables to feed actuators, sensors, etc...to be installed into trays, drag chains for both fixed and dynamic installations, indoor and outdoor.



UNIKA
SPECIAL CABLES

Cavo tipo/cable type: _____
 costruzione cavo/cable structure: _____
 Clientel/customer: _____

Revizija	Opis	Ime/Ako: change	Opis

code	Conductor number x cross-section (n x mm ²)	Outer diameter (mm)
NU022	2x0,25	5
NU032	3x0,25	5,2
NU042	4x0,25	5,5
NU052	5x0,25	5,8
NU072	7x0,25	6,7
NU122	12x0,25	8,0
NU182	18x0,25	9,0
NU252	25x0,25	10,8
NU362	36x0,25	11,5
NU023	2x0,34	5,2
NU033	3x0,34	5,5
NU043	4x0,34	5,8
NU053	5x0,34	6,5
NU073	7x0,34	7,2
NU123	12x0,34	8,5
NU183	18x0,34	10
NU253	25x0,34	12,0
NU363	36x0,34	13,0
NU024	2x0,50	6,3
NU034	3G0,50	6,5
NU044	4G0,50	7,0
NU054	5G0,50	7,5
NU074	7G0,50	8,5
NU124	12G0,50	10,0
NU184	18G0,50	11,5
NU254	25G0,50	13,5
NU364	36G0,50	15,2
NU025	2x0,75	7,0
NU035	3G0,75	7,2
NU045	4G0,75	7,8
NU055	5G0,75	8,5
NU075	7G0,75	9,6

code	Conductor number x cross-section (n x mm ²)	Outer diameter (mm)
NU125	12G0,75	11,5
NU185	18G0,75	13,0
NU255	25G0,75	15,8
NU365	36G0,75	17,5
NU026	2x1	7,4
NU036	3G1	7,7
NU046	4G1	8,5
NU056	5G1	9,0
NU076	7G1	10,4
NU126	12G1	12,4
NU186	18G1	14,3
NU256	25G1	17,0
NU366	36G1	19,0
NU027	2x1,5	8,0
NU037	3G1,5	8,3
NU047	4G1,5	9,2
NU057	5G1,5	10,0
NU077	7G1,5	11,6
NU127	12G1,5	13,8
NU187	18G1,5	16,2
NU257	25G1,5	19,0
NU367	36G1,5	21,5
NU029	2x2,5	9,5
NU039	3G2,5	10,3
NU049	4G2,5	11,3
NU059	5G2,5	12,4
NU079	7G2,5	14,4
NU129	12G2,5	17,5
NU189	18G2,5	20,3
NU259	25G2,5	24,2
NU369	36G2,5	27,2
NU03A	3G4	11,5

code	Conductor number x cross-section (n x mm ²)	Outer diameter (mm)
NU04A	4G4	12,4
NU05A	5G4	13,5
NU06A	6G4	15,2
NU07A	7G4	16,3
NU03B	3G6	13,5
NU04B	4G6	15,2
NU05B	5G6	16,5
NU06B	6G6	17,8
NU07B	7G6	19,5
NU03D	3G10	17,1
NU04D	4G10	19,0
NU05D	5G10	20,7
NU06D	6G10	22,0
NU07D	7G10	24,0
NU03E	3G16	19,8
NU04E	4G16	21,8
NU05E	5G16	24,0

Cavi per installazioni a bordo nave • Electrical cables for shipboard